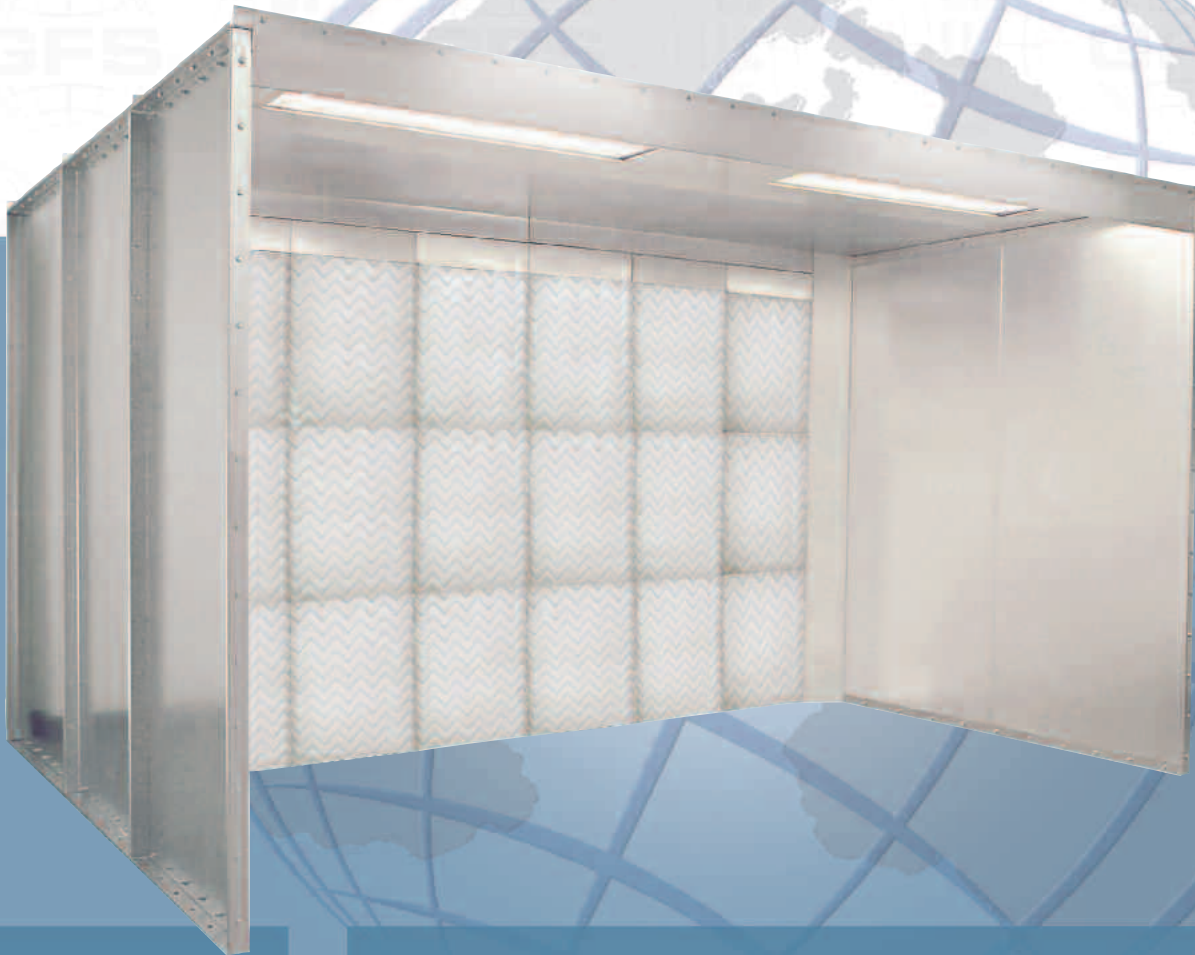


Global Finishing Solutions



Open Face Industrial Booths

Expandable Modular Design



- > Easy Assembly
- > Heavy - Duty Construction
- > Meets or Exceeds National Code Requirements
- > Conveyor and Crane Openings Available
- > Custom Booths Available

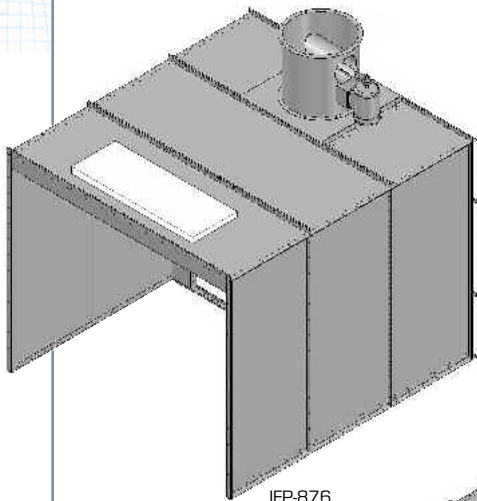
OPEN FACE INDUSTRIAL BOOTHS

GLOBAL FINISHING SOLUTIONS (GFS) provides the industry's most comprehensive line of spray booth products and systems for its global base of general industry and manufacturing customers. Complimented by state-of-the-art, flexible and cost-effective solutions, **GFS** is the preferred source for finishing process equipment. All **GFS** products are designed with one common goal: the ability to produce a superior quality finish in the most efficient manner.

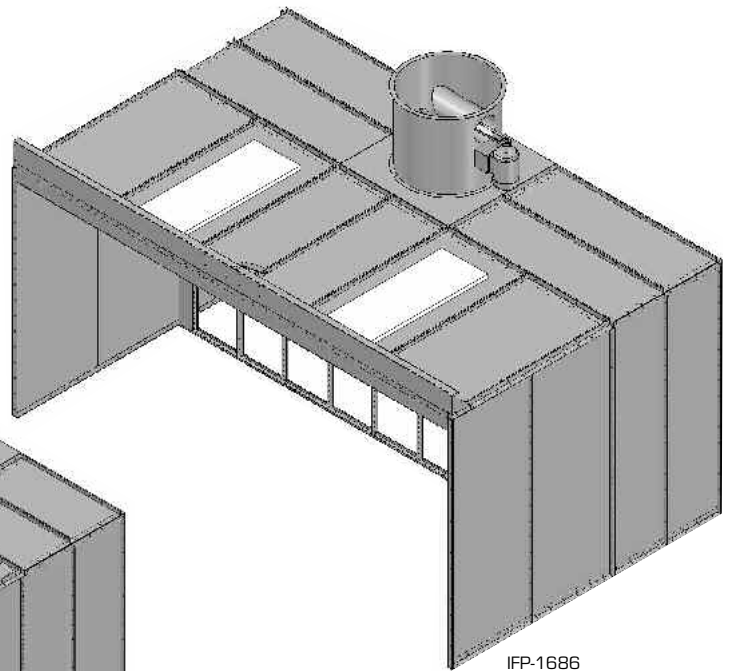
GFS' spray booths feature a modular design. This approach offers the economy of a standardized line of spray booths while making available a variety of sizes and configurations to fit a broad range of finishing processes. Custom designs are available including white pre-coated panels. **See the Booth Selection Guidelines, page 7, for factors in determining your spray booth needs.**

Code Requirements:

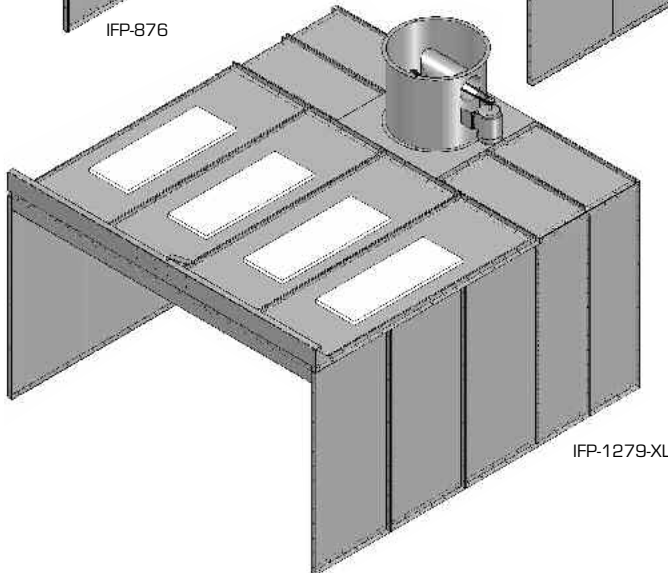
As fire, electrical, and building codes vary from one area to another you should consult the local authority having jurisdiction before purchasing a spray booth. **GFS** spray booths comply with the requirements of the National Fire Protection Association (NFPA-33), the Uniform Fire Code (U.F.C. 45) and International Fire Code.



IFP-876



IFP-1686



IFP-1279-XL

Notes:

1. GFS recommends proper air replacement system. Contact GFS if air replacement is needed.
2. GFS industrial booths are intended for indoor installation only.
3. Air solenoid valve required for all installations for fan interlock, priced separately.
4. **All specifications are subject to change without prior notice.**

OPEN FACE INDUSTRIAL AND FAST-PAK BOOTHS

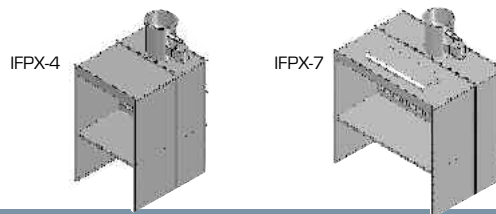
Standard Features

- Single skin, 18 gauge, G-90 galvanized steel construction.
- Panels are pre-punched for nut & bolt assembly.
- Tube Axial non-sparking exhaust fan(s) with belt guards and connector ring for duct connection.
- 3 phase TEFC (208/230/460/60 Hz), tri-voltage motor(s) with variable pitch pulley.
- Four tube, 4 foot, 120/277 Volt Class 1 Division 2, E.T.L. listed fluorescent light fixtures. Inside access fixture with interlock switch standard and T-8 color corrected tubes included.
- Manometer (Draft Gauge)
- 20" x 20" filter media
- Complete assembly instructions and necessary hardware included.

Optional Features

- Pre painted, white panels (May require additional lead-times, consult GFS)
- Single phase, explosion proof and/or 575 Volt/50 Hz exhaust fan motor
- Six tube, 4 foot, fluorescent light fixtures with color corrected tubes included.
- Rear Access E.T.L. listed light fixtures
- U.L. listed booth packages
- U.L. listed prewired control panels
- U.L. listed individual control package components
- Exhaust ductwork

Fast-Pak Xpress Booths



Touch-Up & Bench Top Fast-Pak Xpress Booths

Model No.	Working Dimensions W X H X D			Overall Dimensions W X H X D			CFM 1/4" SP @ 100 FPM	FAN Dia.	HP	No. Filters	No. Lights
IFPX-3-BT	3'	4'	2'	3'-4"	4'-4"	4'-2"	1200	12"	1/3	2	0
IFPX-3	3'	4'	2'	3'-4"	7'-2"	4'-2"	1200	12"	1/3	2	0
IFPX-4	4'	4'	3'	4'-4"	7'-2"	5'-2"	1600	18"	1/3	4	0
IFPX-5	5'	4'	3'	5'-4"	7'-2"	5'-2"	2000	18"	1/2	6	1
IFPX-7	7'	4'	3'	7'-4"	7'-2"	5'-2"	2800	18"	3/4	8	1

Small Fast-Pak Xpress Booths

Model No.	Working Dimensions W X H X D			Overall Dimensions W X H X D			CFM 1/4" SP @ 125 FPM	FAN Dia.	HP	No. Filters	No. Lights
6 Ft. Wide Booths											
IFPX-676	6'	7'	6'	6'-4"	7'-2"	9'-2"	5250	24"	1	12	1
IFPX-678	6'	7'	8'	6'-4"	7'-2"	11'-2"	5250	24"	1	12	1
IFPX-679	6'	7'	9'	6'-4"	7'-2"	12'-2"	5250	24"	1	12	1
IFPX-679-XL	6'	7'	9'	6'-4"	7'-2"	12'-2"	5250	24"	1	12	2
8 Ft. Wide Booths											
IFPX-876	8'	7'	6'	8'-4"	7'-2"	9'-2"	7000	24"	2	16	1
IFPX-878	8'	7'	8'	8'-4"	7'-2"	11'-2"	7000	24"	2	16	1
IFPX-879	8'	7'	9'	8'-4"	7'-2"	12'-2"	7000	24"	2	16	1
IFPX-879-XL	8'	7'	9'	8'-4"	7'-2"	12'-2"	7000	24"	2	16	2
IFPX-886	8'	8'	6'	8'-4"	8'-2"	9'-2"	8000	30"	2	16	1
IFPX-888	8'	8'	8'	8'-4"	8'-2"	11'-2"	8000	30"	2	16	1
IFPX-889	8'	8'	9'	8'-4"	8'-2"	12'-2"	8000	30"	2	16	1
IFPX-889-XL	8'	8'	9'	8'-4"	8'-2"	12'-2"	8000	30"	2	16	2
10 Ft. Wide Booths											
IFPX-1076	10'	7'	6'	10'-4"	7'-2"	9'-2"	8750	30"	3	20	2
IFPX-1078	10'	7'	8'	10'-4"	7'-2"	11'-2"	8750	30"	3	20	2
IFPX-1079	10'	7'	9'	10'-4"	7'-2"	12'-2"	8750	30"	3	20	2
IFPX-1079-XL	10'	7'	9'	10'-4"	7'-2"	12'-2"	8750	30"	3	20	3
IFPX-1086	10'	8'	6'	10'-4"	8'-2"	9'-2"	10000	30"	3	20	2
IFPX-1088	10'	8'	8'	10'-4"	8'-2"	11'-2"	10000	30"	3	20	2
IFPX-1089	10'	8'	9'	10'-4"	8'-2"	12'-2"	10000	30"	3	20	2
IFPX-1089-XL	10'	8'	9'	10'-4"	8'-2"	12'-2"	10000	30"	3	20	3

Product Availability

Fast-Pak Xpress booths ship within **3 business days**.

Modification, options and air replacement systems require additional lead-times and **DO NOT** qualify for **3 day shipment**.

Fast-Pak Xpress models are pre packaged and ready for shipping as listed. Consult GFS for modifications affecting pricing and production lead times.

All Xpress models are interchangeable top or rear exhaust.

STANDARD FAST-PAK BOOTHS

Touch-Up & Bench Top Booths

Model No.	Working Dimensions W X H X D	Overall Dimensions W X H X D	CFM 1/4" SP @ 100 FPM	Fan Dia.	HP	No. Filters	No. Lights
IFP-3BT	3' 4' 2'	3'-4" 4'-4" 4'-2"	1200	12"	1/3	2	0
IFP-3	3' 4' 2'	3'-4" 7'-2" 4'-2"	1200	12"	1/3	2	0
IFP-4	4' 4' 3'	4'-4" 7'-2" 5'-2"	1600	18"	1/3	4	0
IFP-5	5' 4' 3'	5'-4" 7'-2" 5'-2"	2000	18"	1/2	6	1
IFP-7	7' 4' 3'	7'-4" 7'-2" 5'-2"	2800	18"	3/4	8	1

Small Booths

Model No.	Working Dimensions W X H X D	Overall Dimensions W X H X D	CFM 1/4" SP @ 125 FPM	Fan Dia.	HP	No. Filters	No. Lights
6 Ft. Wide Booths							
IFP-676	6' 7' 6'	6'-4" 7'-2" 9'-2"	5250	24"	1	12	1
IFP-678	6' 7' 8'	6'-4" 7'-2" 11'-2"	5250	24"	1	12	1
IFP-679	6' 7' 9'	6'-4" 7'-2" 12'-2"	5250	24"	1	12	1
IFP-679-XL	6' 7' 9'	6'-4" 7'-2" 12'-2"	5250	24"	1	12	2
IFP-6712	6' 7' 12'	6'-4" 7'-2" 15'-2"	5250	24"	1	12	2
IFP-686	6' 8' 6'	6'-4" 8'-2" 9'-2"	6000	24"	2	12	1
IFP-688	6' 8' 8'	6'-4" 8'-2" 11'-2"	6000	24"	2	12	1
IFP-689	6' 8' 9'	6'-4" 8'-2" 12'-2"	6000	24"	2	12	1
IFP-689-XL	6' 8' 9'	6'-4" 8'-2" 12'-2"	6000	24"	2	12	2
IFP-6812	6' 8' 12'	6'-4" 8'-2" 15'-2"	6000	24"	2	12	2
IFP-6106	6' 10' 6'	6'-4" 10'-2" 9'-2"	7500	24"	2	15	1
IFP-6108	6' 10' 8'	6'-4" 10'-2" 11'-2"	7500	24"	2	15	1
IFP-6109	6' 10' 9'	6'-4" 10'-2" 12'-2"	7500	24"	2	15	1
IFP-6109-XL	6' 10' 9'	6'-4" 10'-2" 12'-2"	7500	24"	2	15	2
IFP-61012	6' 10' 12'	6'-4" 10'-2" 15'-2"	7500	24"	2	15	2
IFP-6126	6' 12' 6'	6'-4" 12'-2" 9'-2"	9000	30"	3	21	1
IFP-6128	6' 12' 8'	6'-4" 12'-2" 11'-2"	9000	30"	3	21	1
IFP-6129	6' 12' 9'	6'-4" 12'-2" 12'-2"	9000	30"	3	21	1
IFP-6129-XL	6' 12' 9'	6'-4" 12'-2" 12'-2"	9000	30"	3	21	2
IFP-61212	6' 12' 12'	6'-4" 12'-2" 15'-2"	9000	30"	3	21	2

8 Ft. Wide Booths

IFP-876	8' 7' 6'	8'-4" 7'-2" 9'-2"	7000	24"	2	16	1
IFP-878	8' 7' 8'	8'-4" 7'-2" 11'-2"	7000	24"	2	16	1
IFP-879	8' 7' 9'	8'-4" 7'-2" 12'-2"	7000	24"	2	16	1
IFP-879-XL	8' 7' 9'	8'-4" 7'-2" 12'-2"	7000	24"	2	16	2
IFP-8712	8' 7' 12'	8'-4" 7'-2" 15'-2"	7000	24"	2	16	2
IFP-886	8' 8' 6'	8'-4" 8'-2" 9'-2"	8000	30"	2	16	1
IFP-888	8' 8' 8'	8'-4" 8'-2" 11'-2"	8000	30"	2	16	1
IFP-889	8' 8' 9'	8'-4" 8'-2" 12'-2"	8000	30"	2	16	1
IFP-889-XL	8' 8' 9'	8'-4" 8'-2" 12'-2"	8000	30"	2	16	2
IFP-8812	8' 8' 12'	8'-4" 8'-2" 15'-2"	8000	30"	2	16	2
IFP-8106	8' 10' 6'	8'-4" 10'-2" 9'-2"	10000	30"	3	20	1
IFP-8108	8' 10' 8'	8'-4" 10'-2" 11'-2"	10000	30"	3	20	1
IFP-8109	8' 10' 9'	8'-4" 10'-2" 12'-2"	10000	30"	3	20	1
IFP-8109-XL	8' 10' 9'	8'-4" 10'-2" 12'-2"	10000	30"	3	20	2
IFP-81012	8' 10' 12'	8'-4" 10'-2" 15'-2"	10000	30"	3	20	2
IFP-8126	8' 12' 6'	8'-4" 12'-2" 9'-2"	12000	30"	5	28	1
IFP-8128	8' 12' 8'	8'-4" 12'-2" 11'-2"	12000	30"	5	28	1
IFP-8129	8' 12' 9'	8'-4" 12'-2" 12'-2"	12000	30"	5	28	1
IFP-8129-XL	8' 12' 9'	8'-4" 12'-2" 12'-2"	12000	30"	5	28	2
IFP-81212	8' 12' 12'	8'-4" 12'-2" 15'-2"	12000	30"	5	28	2

10 Ft. Wide Booths

IFP-1076	10' 7' 6'	10'-4" 7'-2" 9'-2"	8750	30"	3	20	2
IFP-1078	10' 7' 8'	10'-4" 7'-2" 11'-2"	8750	30"	3	20	2
IFP-1079	10' 7' 9'	10'-4" 7'-2" 12'-2"	8750	30"	3	20	2
IFP-1079-XL	10' 7' 9'	10'-4" 7'-2" 12'-2"	8750	30"	3	20	3
IFP-10712	10' 7' 12'	10'-4" 7'-2" 15'-2"	8750	30"	3	20	4
IFP-1086	10' 8' 6'	10'-4" 8'-2" 9'-2"	10000	30"	3	20	2
IFP-1088	10' 8' 8'	10'-4" 8'-2" 11'-2"	10000	30"	3	20	2
IFP-1089	10' 8' 9'	10'-4" 8'-2" 12'-2"	10000	30"	3	20	2
IFP-1089-XL	10' 8' 9'	10'-4" 8'-2" 12'-2"	10000	30"	3	20	3
IFP-10812	10' 8' 12'	10'-4" 8'-2" 15'-2"	10000	30"	3	20	4
IFP-10106	10' 10' 6'	10'-4" 10'-2" 9'-2"	12500	30"	5	25	2
IFP-10108	10' 10' 8'	10'-4" 10'-2" 11'-2"	12500	30"	5	25	2
IFP-10109	10' 10' 9'	10'-4" 10'-2" 12'-2"	12500	30"	5	25	2
IFP-10109-XL	10' 10' 9'	10'-4" 10'-2" 12'-2"	12500	30"	5	25	3
IFP-101012	10' 10' 12'	10'-4" 10'-2" 15'-2"	12500	30"	5	25	4
IFP-10126	10' 12' 6'	10'-4" 12'-2" 9'-2"	15000	34"	5	35	2
IFP-10128	10' 12' 8'	10'-4" 12'-2" 11'-2"	15000	34"	5	35	2
IFP-10129	10' 12' 9'	10'-4" 12'-2" 12'-2"	15000	34"	5	35	2
IFP-10129-XL	10' 12' 9'	10'-4" 12'-2" 12'-2"	15000	34"	5	35	3
IFP-101212	10' 12' 12'	10'-4" 12'-2" 15'-2"	15000	34"	5	35	4

Additional working depths available, contact GFS.

All standard models are interchangeable top or rear exhaust with the exception of the 18 ft and 20 ft wide by 12 ft high models.

Baffles are recommended with rear exhaust for optimum performance, see Accessories - Exhaust Ductwork section.

Adding Work Depth

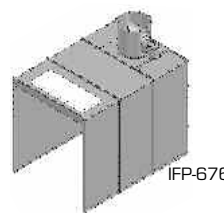
Standard Small Booths

Working compartment extensions are specifically designed to increase the working depth of the spray booth. Ceiling panels run side to side. Increasing the work depth will be using 2 ft solid extensions or 3 ft solid and/or lighted extensions.

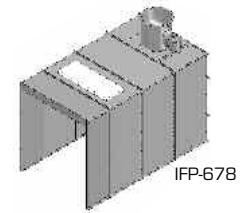
- 18 Gauge G-90 galvanized panel construction
- Assembly hardware included

Option:

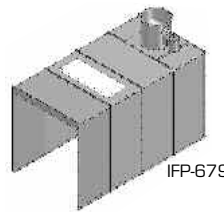
- Pre-coated White Panels (Structural components, exhaust and filter parts are galvanized)
- Appropriate structural reinforcements



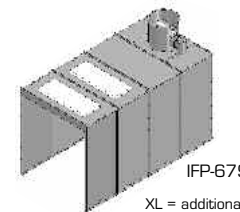
IFP-676



IFP-678

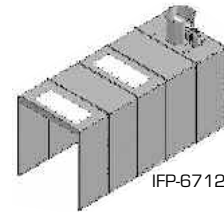


IFP-679



IFP-679-XL

XL = additional light fixture



IFP-6712

Product Availability

Standard Small and Large Fast-Pak booths ship within **7 business days**.

Modifications, options and air replacement systems will require additional lead-times and **DO NOT** qualify for **7 day shipment**.

See page 7 for Custom Booths

Consult GFS for modifications affecting pricing and production lead times.

Large Booths

Model No.	Working Dimensions W X H X D	Overall Dimensions W X H X D	CFM 1/4" SP @ 125FPM	Fan Dia.	HP	No. Filters	No. Lights
12 Ft. Wide Booths							
IFP-1276	12' 7' 6"	12'-4" 7'-10" 10'-2"	10500	34"	2	28	2
IFP-1278	12' 7' 8"	12'-4" 7'-10" 12'-2"	10500	34"	2	28	2
IFP-1279	12' 7' 9"	12'-4" 7'-10" 13'-2"	10500	34"	2	28	2
IFP-1279-XL	12' 7' 9"	12'-4" 7'-10" 13'-2"	10500	34"	2	28	4
IFP-12712	12' 7' 12"	12'-4" 7'-10" 16'-2"	10500	34"	2	28	4
IFP-1286	12' 8' 6"	12'-4" 8'-10" 10'-2"	12000	34"	3	28	2
IFP-1288	12' 8' 8"	12'-4" 8'-10" 12'-2"	12000	34"	3	28	2
IFP-1289	12' 8' 9"	12'-4" 8'-10" 13'-2"	12000	34"	3	28	2
IFP-1289-XL	12' 8' 9"	12'-4" 8'-10" 13'-2"	12000	34"	3	28	4
IFP-12812	12' 8' 12"	12'-4" 8'-10" 16'-2"	12000	34"	3	28	4
IFP-12106	12' 10' 6"	12'-4" 10'-10" 10'-2"	15000	34"	5	35	2
IFP-12108	12' 10' 8"	12'-4" 10'-10" 12'-2"	15000	34"	5	35	2
IFP-12109	12' 10' 9"	12'-4" 10'-10" 13'-2"	15000	34"	5	35	2
IFP-12109-XL	12' 10' 9"	12'-4" 10'-10" 13'-2"	15000	34"	5	35	4
IFP-121012	12' 10' 12"	12'-4" 10'-10" 16'-2"	15000	34"	5	35	4
IFP-12126	12' 12' 6"	12'-4" 12'-10" 10'-2"	18000	40"	5	49	2
IFP-12128	12' 12' 8"	12'-4" 12'-10" 12'-2"	18000	40"	5	49	2
IFP-12129	12' 12' 9"	12'-4" 12'-10" 13'-2"	18000	40"	5	49	2
IFP-12129-XL	12' 12' 9"	12'-4" 12'-10" 13'-2"	18000	40"	5	49	4
IFP-121212	12' 12' 12"	12'-4" 12'-10" 16'-2"	18000	40"	5	49	4
14 Ft. Wide Booths							
IFP-1476	14' 7' 6"	14'-4" 7'-10" 10'-2"	12250	34"	2	32	2
IFP-1478	14' 7' 8"	14'-4" 7'-10" 12'-2"	12250	34"	2	32	2
IFP-1479	14' 7' 9"	14'-4" 7'-10" 13'-2"	12250	34"	2	32	2
IFP-1479-XL	14' 7' 9"	14'-4" 7'-10" 13'-2"	12250	34"	2	32	4
IFP-14712	14' 7' 12"	14'-4" 7'-10" 16'-2"	12250	34"	2	32	4
IFP-1486	14' 8' 6"	14'-4" 8'-10" 10'-2"	14000	34"	3	32	2
IFP-1488	14' 8' 8"	14'-4" 8'-10" 12'-2"	14000	34"	3	32	2
IFP-1489	14' 8' 9"	14'-4" 8'-10" 13'-2"	14000	34"	3	32	2
IFP-1489-XL	14' 8' 9"	14'-4" 8'-10" 13'-2"	14000	34"	3	32	4
IFP-14812	14' 8' 12"	14'-4" 8'-10" 16'-2"	14000	34"	3	32	4
IFP-14106	14' 10' 6"	14'-4" 10'-10" 10'-2"	17500	40"	5	40	2
IFP-14108	14' 10' 8"	14'-4" 10'-10" 12'-2"	17500	40"	5	40	2
IFP-14109	14' 10' 9"	14'-4" 10'-10" 13'-2"	17500	40"	5	40	2
IFP-14109-XL	14' 10' 9"	14'-4" 10'-10" 13'-2"	17500	40"	5	40	4
IFP-141012	14' 10' 12"	14'-4" 10'-10" 16'-2"	17500	40"	5	40	4
IFP-14126	14' 12' 6"	14'-4" 12'-10" 10'-2"	21000	40"	5	56	2
IFP-14128	14' 12' 8"	14'-4" 12'-10" 12'-2"	21000	40"	5	56	2
IFP-14129	14' 12' 9"	14'-4" 12'-10" 13'-2"	21000	40"	5	56	2
IFP-14129-XL	14' 12' 9"	14'-4" 12'-10" 13'-2"	21000	40"	5	56	4
IFP-141212	14' 12' 12"	14'-4" 12'-10" 16'-2"	21000	40"	5	56	4
16 Ft. Wide Booths							
IFP-1676	16' 7' 6"	16'-4" 7'-10" 10'-2"	14000	34"	3	36	2
IFP-1678	16' 7' 8"	16'-4" 7'-10" 12'-2"	14000	34"	3	36	2
IFP-1679	16' 7' 9"	16'-4" 7'-10" 13'-2"	14000	34"	3	36	2
IFP-1679-XL	16' 7' 9"	16'-4" 7'-10" 13'-2"	14000	34"	3	36	4
IFP-16712	16' 7' 12"	16'-4" 7'-10" 16'-2"	14000	34"	3	36	4
IFP-1686	16' 8' 6"	16'-4" 8'-10" 10'-2"	16000	34"	5	36	2
IFP-1688	16' 8' 8"	16'-4" 8'-10" 12'-2"	16000	34"	5	36	2
IFP-1689	16' 8' 9"	16'-4" 8'-10" 13'-2"	16000	34"	5	36	2
IFP-1689-XL	16' 8' 9"	16'-4" 8'-10" 13'-2"	16000	34"	5	36	4
IFP-16812	16' 8' 12"	16'-4" 8'-10" 16'-2"	16000	34"	5	36	4
IFP-16106	16' 10' 6"	16'-4" 10'-10" 10'-2"	20000	40"	5	45	2
IFP-16108	16' 10' 8"	16'-4" 10'-10" 12'-2"	20000	40"	5	45	2
IFP-16109	16' 10' 9"	16'-4" 10'-10" 13'-2"	20000	40"	5	45	2
IFP-16109-XL	16' 10' 9"	16'-4" 10'-10" 13'-2"	20000	40"	5	45	4
IFP-161012	16' 10' 12"	16'-4" 10'-10" 16'-2"	20000	40"	5	45	4
IFP-16126	16' 12' 6"	16'-4" 12'-10" 10'-2"	24000	40"	7.5	63	2
IFP-16128	16' 12' 8"	16'-4" 12'-10" 12'-2"	24000	40"	7.5	63	2
IFP-16129	16' 12' 9"	16'-4" 12'-10" 13'-2"	24000	40"	7.5	63	2
IFP-16129-XL	16' 12' 9"	16'-4" 12'-10" 13'-2"	24000	40"	7.5	63	4
IFP-161212	16' 12' 12"	16'-4" 12'-10" 16'-2"	24000	40"	7.5	63	4
18 Ft. Wide Booths							
IFP-1876	18' 7' 6"	18'-4" 7'-10" 10'-2"	15750	34"	5	40	3
IFP-1878	18' 7' 8"	18'-4" 7'-10" 12'-2"	15750	34"	5	40	3
IFP-1879	18' 7' 9"	18'-4" 7'-10" 13'-2"	15750	34"	5	40	3
IFP-1879-XL	18' 7' 9"	18'-4" 7'-10" 13'-2"	15750	34"	5	40	5
IFP-18712	18' 7' 12"	18'-4" 7'-10" 16'-2"	15750	34"	5	40	6
IFP-1886	18' 8' 6"	18'-4" 8'-10" 10'-2"	18000	40"	5	40	3
IFP-1888	18' 8' 8"	18'-4" 8'-10" 12'-2"	18000	40"	5	40	3
IFP-1889	18' 8' 9"	18'-4" 8'-10" 13'-2"	18000	40"	5	40	3
IFP-1889-XL	18' 8' 9"	18'-4" 8'-10" 13'-2"	18000	40"	5	40	5
IFP-18812	18' 8' 12"	18'-4" 8'-10" 16'-2"	18000	40"	5	40	6
IFP-18106	18' 10' 6"	18'-4" 10'-10" 10'-2"	22500	40"	5	50	3
IFP-18108	18' 10' 8"	18'-4" 10'-10" 12'-2"	22500	40"	5	50	3
IFP-18109	18' 10' 9"	18'-4" 10'-10" 13'-2"	22500	40"	5	50	3
IFP-18109-XL	18' 10' 9"	18'-4" 10'-10" 13'-2"	22500	40"	5	50	5
IFP-181012	18' 10' 12"	18'-4" 10'-10" 16'-2"	22500	40"	5	50	6
IFP-18126	18' 12' 6"	18'-4" 12'-10" 10'-2"	27000	48"	5	70	3
IFP-18128	18' 12' 8"	18'-4" 12'-10" 12'-2"	27000	48"	5	70	3
IFP-18129	18' 12' 9"	18'-4" 12'-10" 13'-2"	27000	48"	5	70	3
IFP-18129-XL	18' 12' 9"	18'-4" 12'-10" 13'-2"	27000	48"	5	70	5
IFP-181212	18' 12' 12"	18'-4" 12'-10" 16'-2"	27000	48"	5	70	6
20 Ft. Wide Booths							
IFP-2076	20' 7' 6"	20'-4" 7'-10" 10'-2"	17500	40"	5	44	4
IFP-2078	20' 7' 8"	20'-4" 7'-10" 12'-2"	17500	40"	5	44	4
IFP-2079	20' 7' 9"	20'-4" 7'-10" 13'-2"	17500	40"	5	44	4
IFP-2079-XL	20' 7' 9"	20'-4" 7'-10" 13'-2"	17500	40"	5	44	6
IFP-20712	20' 7' 12"	20'-4" 7'-10" 16'-2"	17500	40"	5	44	8
IFP-2086	20' 8' 6"	20'-4" 8'-10" 10'-2"	20000	40"	5	44	4
IFP-2088	20' 8' 8"	20'-4" 8'-10" 12'-2"	20000	40"	5	44	4
IFP-2089	20' 8' 9"	20'-4" 8'-10" 13'-2"	20000	40"	5	44	4
IFP-2089-XL	20' 8' 9"	20'-4" 8'-10" 13'-2"	20000	40"	5	44	6
IFP-20812	20' 8' 12"	20'-4" 8'-10" 16'-2"	20000	40"	5	44	8
IFP-20106	20' 10' 6"	20'-4" 10'-10" 10'-2"	25000	40"	7.5	55	4
IFP-20108	20' 10' 8"	20'-4" 10'-10" 12'-2"	25000	40"	7.5	55	4
IFP-20109	20' 10' 9"	20'-4" 10'-10" 13'-2"	25000	40"	7.5	55	4
IFP-20109-XL	20' 10' 9"	20'-4" 10'-10" 13'-2"	25000	40"	7.5	55	6
IFP-201012	20' 10' 12"	20'-4" 10'-10" 16'-2"	25000	40"	7.5	55	8
IFP-20126	20' 12' 6"	20'-4" 12'-10" 10'-2"	30000	48"	7.5	77	4
IFP-20128	20' 12' 8"	20'-4" 12'-10" 12'-2"	30000	48"	7.5	77	4
IFP-20129	20' 12' 9"	20'-4" 12'-10" 13'-2"	30000	48"	7.5	77	4
IFP-20129-XL	20' 12' 9"	20'-4" 12'-10" 13'-2"	30000	48"	7.5	77	6
IFP-201212	20' 12' 12"	20'-4" 12'-10" 16'-2"	30000	48"	7.5	77	8

Additional working depths available, contact GFS.

Adding Work Depth

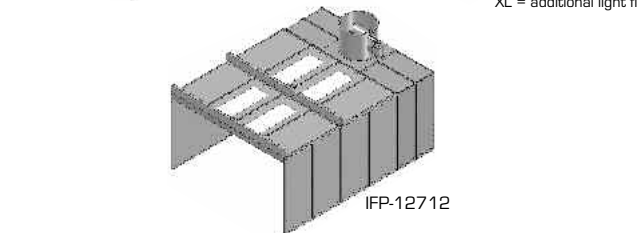
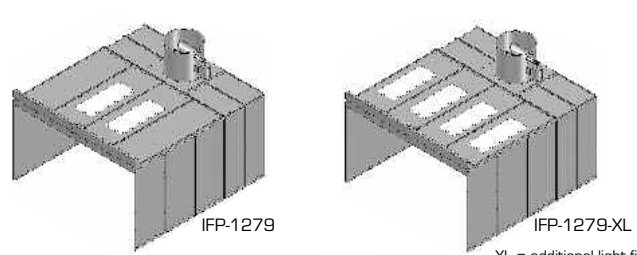
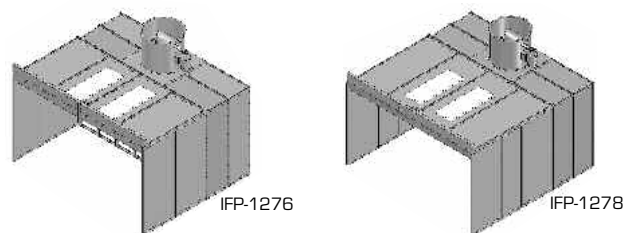
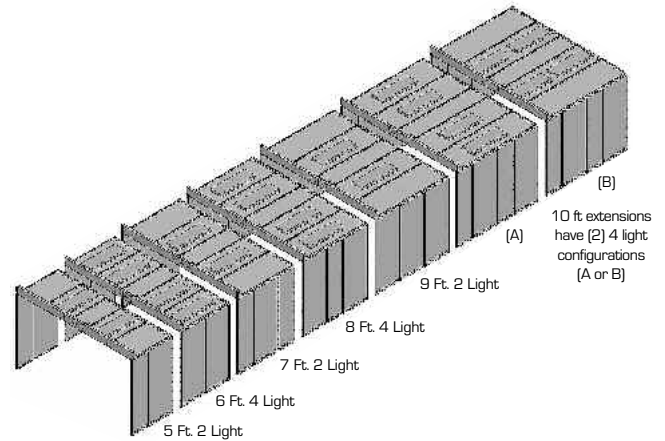
Standard Large Booths

Working compartment extensions are specifically designed to increase the working depth of the spray booth. Ceiling panels run back to front. Increasing the work depth for large booths will be to use one or a combination of: 5 ft, 6 ft, 7 ft, 8 ft, 9 ft or 10 ft extensions.

- 18 Gauge G-90 galvanized panel construction
- Appropriate structural reinforcements are included
- Assembly hardware included

Option:

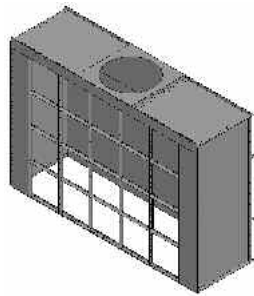
- Pre-coated White Panels (Structural components, exhaust and filter parts are galvanized)
- Standard large booth extensions have multiple light upgrade options:
 - 12 ft -16 ft Wide = 2 or 4 lights
 - 18 ft Wide = 3 or 5 lights
 - 20 ft Wide = 4 or 6 lights



XL = additional light fixture

EXHAUST CHAMBERS

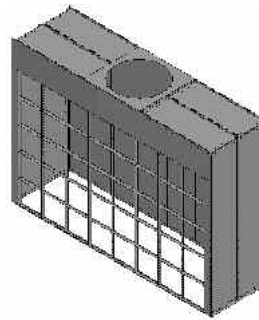
For Small Booths



Model No.	CFM 1/4" SP @ 125FPM	Fan Dia.	HP
6 Ft. Wide Booths			
PEC 67	5250	24	1
PEC 68	6000	24	2
PEC 610	7500	24	2
PEC 612	9000	30	3
8 Ft. Wide Booths			
PEC 87	7000	24	2
PEC 88	8000	30	2
PEC 810	10000	30	3
PEC 812	12000	30	5
10 Ft. Wide Booths			
PEC 107	8750	30	3
PEC 108	10000	30	3
PEC 1010	12500	30	5
PEC 1012	15000	34	5

Fan Note:
NFPA 33 requires that the motor and belt be placed outside of spray area. GFS recommends placement of fan assembly on roof of building if spraying flammable liquids.

For Large Booths

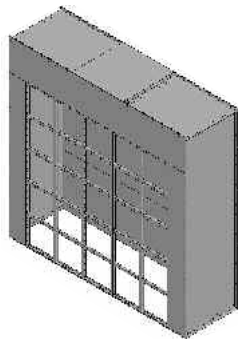


Model No.	CFM 1/4" SP @ 125FPM	Fan Dia.	HP
12 Ft. Wide Booths			
PEC 127	10500	34	2
PEC 128	12000	34	3
PEC 1210	15000	34	5
PEC 1212	18000	40	5
14 Ft. Wide Booths			
PEC 147	12250	34	2
PEC 148	14000	34	3
PEC 1410	17500	40	5
PEC 1412	21000	40	5
16 Ft. Wide Booths			
PEC 167	14000	34	3
PEC 168	16000	34	5
PEC 1610	20000	40	5
PEC 1612	24000	40	7.5
18 Ft. Wide Booths			
PEC 187	15750	34	5
PEC 188	18000	40	5
PEC 1810	22500	40	5
PEC 1812	27000	48	5
20 Ft. Wide Booths			
PEC 207	17500	40	5
PEC 208	20000	40	5
PEC 2010	25000	40	7.5
PEC 2012	30000	48	7.5

INTAKE CHAMBERS

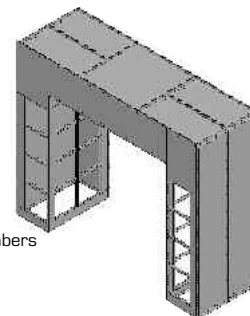
Used to enclose or supply air directly to open face booths for maximum in cleanliness or when heated air replacement is used.

Solid-Back Intake Chambers are used to supply replacement air to booths with conveyor openings or booths that use side access doors for product and/or personnel entry and exit.



Note:
Intake chambers require additional delivery time than the 7 business days for a standard Fast-Pak booth.

Bridge Intake Chambers are used to supply air to booths with end product entry and exit doors. They may be used with solid entry doors to completely enclose the working area of the booth. When adding a bridge style chamber, door size will be 2 feet shorter than interior booth height and 4 feet narrower than interior booth width. An air replacement unit or intake fan can be included.



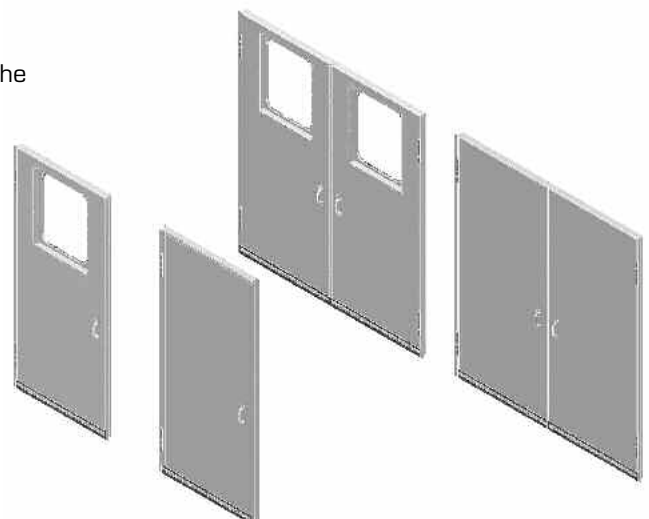
Bridge intake chambers are "Custom"

PERSONNEL DOORS

- Universal access door - allows personnel or product access to the booth. Standard size 3 ft wide by 7 ft high opening.
- Door can be installed for either right or left hand swing.
- Observation windows (18" x 24"), sealed windows allow viewing of operations. Clear tempered glass.
- Constructed of 18 Gauge galvanized sheet steel.

Option:

- Solid Door (No Window)
- Double Personnel Door

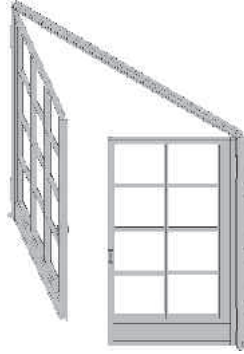


PRODUCT DOORS

All enclosed booths require at least one exit with a maximum door width of 4 ft.

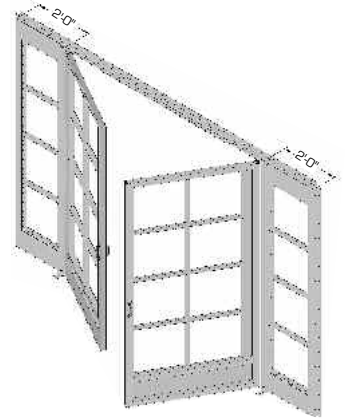
Filtered Doors allow product entry and exit while filtering the input air. These doors attach directly to the front of the booth, adds minimal depth to the booth, and are used with non-pressurized booths.

Small Booths:
7, 8, & 10 Ft Wide



Large Booths:
12, 14, 16, 18 & 20 Ft Wide

Door size will be 4ft narrower than booth.



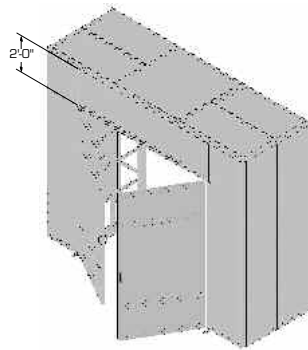
Note:

Product doors require additional delivery time than the 7 business days for a standard Fast-Pak booth.

(Drawings are for illustration purposes only)

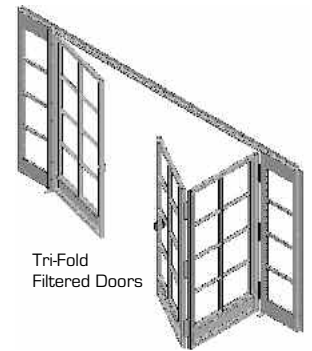
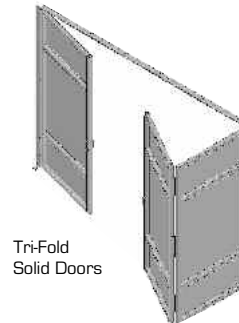
Solid Doors are used with pressurized input plenums to enclose open face paint booths in pressurized applications.

Door size will be 2 feet shorter than interior booth height and 4 feet narrower than interior booth width.



Options:

- Tri-Fold Doors
- Bi-Fold Doors



Tri-Fold Filtered Doors

Tri-Fold Solid Doors

AIR REPLACEMENT UNITS

Air replacement units provide ambient or tempered air to replace the air the booth withdraws from the facility. For pressurized booths the air will be dispersed directly into the spray booth plenum. When elevated temperatures are required forced dry systems are available.

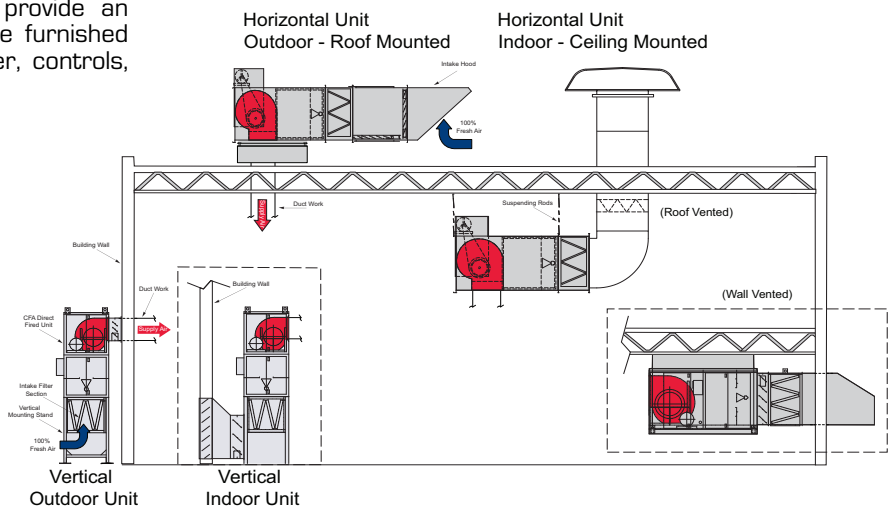
During paint spray operations the spray booth's exhaust system is removing significant quantities of plant air. A typical eight by ten foot booth exhausts more than 8,000 cubic feet of air per minute. If replacement air is pulled directly from outside, this volume may be sufficient to cool the interior of the building and may adversely affect the quality of coatings.

An air replacement unit supplies tempered and filtered air to the booth, minimizing temperature variations and removing particulates that compromise finish quality. GFS can configure an air make-up unit or system that provides heated and filtered air to replace the warm air exhausted by the paint booth. Please consult your sales representative.

GFS direct gas fired air replacement units provide an economical source of replacement air and are furnished complete with heater, filters, motor and blower, controls, mounting hardware and auxiliary equipment.

Mounting arrangements available:

- Indoor/Outdoor vertical
- Indoor/Outdoor horizontal
- Platforms
- Ceiling suspended



BOOTH SELECTION GUIDELINES

Many factors contribute to the selection of the proper spray booth for your needs. The following guidelines may help you in your spray booth selections.

Width:

To determine the necessary width measure width of the largest article, include fixture or pallet and add 5 feet to allow for access to the sides of the part. In multi operator booths follow the above guidelines, please allow a minimum of 8 feet for each finisher.

In conveyORIZED processes the width must be sufficient to allow finishers to complete the finishing operation within the allotted time and spraying should not be closer than 2 feet from the conveyor opening.

Height:

The height of the booth is determined by the overall height of the largest item plus the height of its holding fixture plus two feet clearance. Ample room should be allowed for the finisher to spray the top and bottom of the object.

In conveyORIZED booths the booth internal dimensions should be higher than the top of the conveyor rail.

Depth:

Working depth should be sufficient for the object to be within the enclosure plus 3 feet clearance at the rear (from the filters).

Air Velocity/Ventilation:

The air velocity or ventilation rate must be sufficient to insure that the solid particles and flammable vapors are confined to the inside of the spray booth. All standard booths are configured to meet velocity and ventilation requirements. Conveyor and crane openings must be given consideration when calculating the total airflow of the spray booth.

Exhaust Stack:

Exhaust stacks are required to ventilate the booth to the outside. GFS' stacks should be the same diameter as the fan. The stack should discharge vertically for adequate exhaust air flow and GFS recommends that it extend a minimum of 6 feet above the roofline or as required by local codes.

Air Replacement:

In order to ensure proper air balance, GFS's air replacement systems are designed to deliver fresh filtered or heated air into a building or booth.

Pressurization:

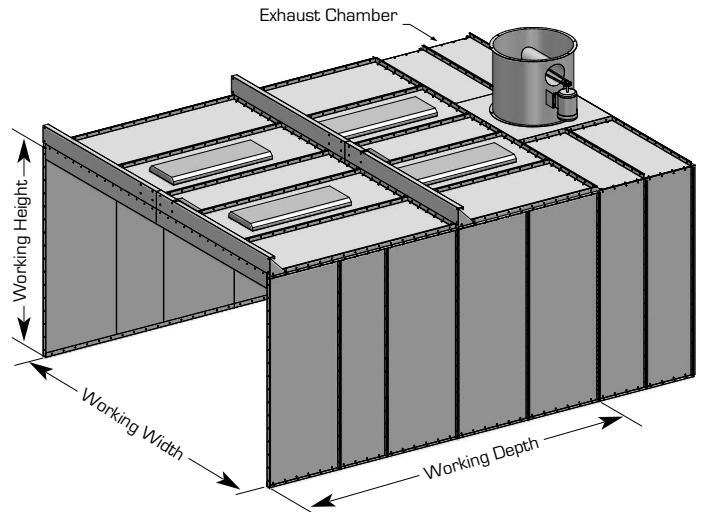
The addition of either a yoke/bridge style or full front, solid back intake plenum will add to the overall depth and limit the size of the opening.

Doors:

Ensure that the door opening will accommodate the dimensions of the object being brought into the booth.

Product availability:

- Standard Fast-Pak models – shipment within 7 business days after receipt of valid order.
- Modifications, options and air replacement systems will require additional lead-times.



CUSTOM BOOTH INFORMATION

Providing the following information will help us assist you in developing a "Custom Booth".

- Largest product to be coated:

- Size
- Weight

- How do you move your product:

- Conveyor
- Rail
- Cart

- Provide pictures or sketches

Working Dimensions:

Height: _____ Width: _____ Depth: _____

Floor Space Available: Width: _____ Depth: _____

Ceiling Height: _____

Number of Lights: _____ 4 tube 6 tube

Type of Intake Chamber: Solid Back Bridge

Product Doors: Filtered Solid Swing Tri-Fold Bi-Fold

Personnel Access Doors: Qty: _____

Observation Window: Height: _____ Width: _____

Crane Slot Opening: _____

Conveyor Slot Opening: _____

CUSTOM BOOTHS

Conveyor openings are available on floor models as a custom option. Global Finishing Solutions is the leader in custom designed booths. Engineers are on staff capable of designing booths for any application. Please refer to chart for recommended maximum openings.

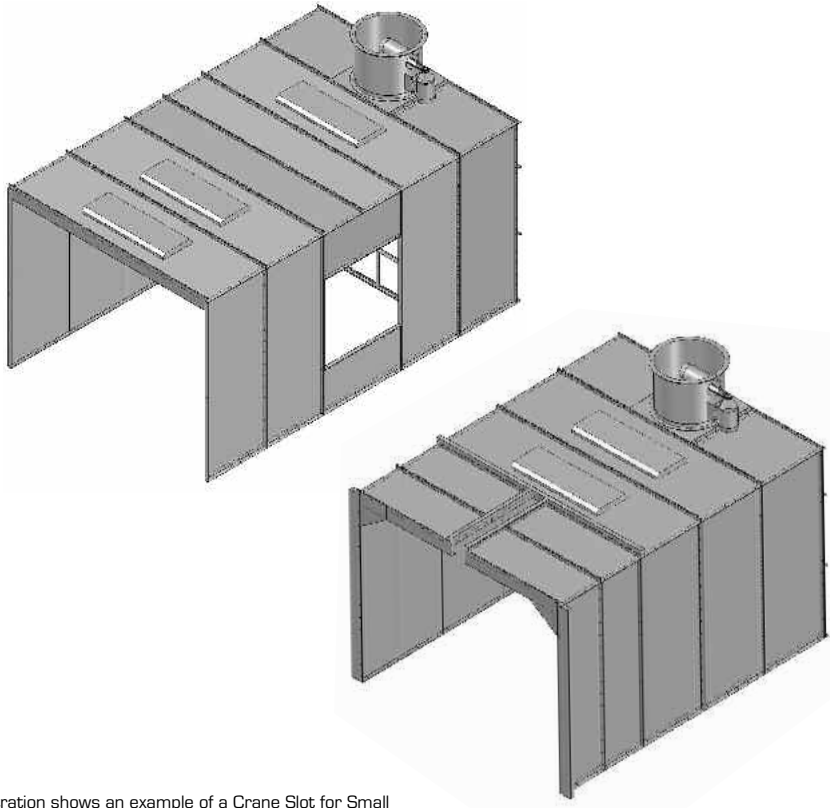
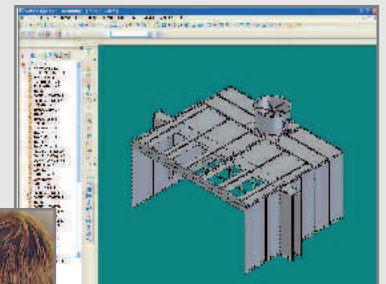


Illustration shows an example of a Crane Slot for Small Booths (6ft to 10ft wide), Consult GFS for Openings for Large Booths (12ft wide or wider).

Model No.	Working Dimensions			Maximum Opening
	W	X	H	Sq. Ft.
Small Booths				
6 Ft. Wide Booths				
CIDB-676	6'	7'	6'	10
CIDB-686	6'	8'	6'	12
CIDB-6106	6'	10'	6'	15
CIDB-6126	6'	12'	6'	18
8 Ft. Wide Booths				
CIDB-876	8'	7'	6'	14
CIDB-886	8'	8'	6'	16
CIDB-8106	8'	10'	6'	20
CIDB-8126	8'	12'	6'	24
10 Ft. Wide Booths				
CIDB-1076	10'	7'	6'	16
CIDB-1086	10'	8'	6'	19
CIDB-10106	10'	10'	6'	23
CIDB-10126	10'	12'	6'	29
Large Booths				
12 Ft. Wide Booths				
CIDB-1276	12'	7'	6'	21
CIDB-1286	12'	8'	6'	24
CIDB-12106	12'	10'	6'	30
CIDB-12126	12'	12'	6'	36
14 Ft. Wide Booths				
CIDB-1476	14'	7'	6'	27
CIDB-1486	14'	8'	6'	28
CIDB-14106	14'	10'	6'	35
CIDB-14126	14'	12'	6'	42
16 Ft. Wide Booths				
CIDB-1676	16'	7'	6'	28
CIDB-1686	16'	8'	6'	32
CIDB-16106	16'	10'	6'	40
CIDB-16126	16'	12'	6'	48
18 Ft. Wide Booths				
CIDB-1876	18'	7'	6'	31
CIDB-1886	18'	8'	6'	36
CIDB-18106	18'	10'	6'	45
CIDB-18126	18'	12'	6'	54
20 Ft. Wide Booths				
CIDB-2076	20'	7'	6'	35
CIDB-2086	20'	8'	6'	40
CIDB-20106	20'	10'	6'	50
CIDB-20126	20'	12'	6'	60

CUSTOM EXPERTISE

An experienced engineering team provides pre-contract, mechanical, electrical, AutoCAD, PLC and programming functions on custom and standard equipment orders. Continuous improvement of standard products, development of heat transfer processes, implementation of state-of-the-art controls and materials specifications means that our customers will receive a safe, reliable, quality product.



ACCESSORIES

Standard Lighting

GFS lights are 4 foot, 4 tube, Class 1 Division 2, E.T.L. listed fluorescent light fixtures. Inside access fixtures with interlock switch standard.

- T-8 high efficiency color corrected tubes
- 120/277 Volt, 50/60Hz lighting



Part No: LABW12-4
4 Tube

Options:

- Six tube light fixtures with color corrected tubes
- Rear access light fixtures
- Fluorescent explosion proof
- Incandescent explosion proof
- Corner lights

Optional



Explosion Proof
Lighting

3 Ft, 2 Tube

6 Tube

Corner Light

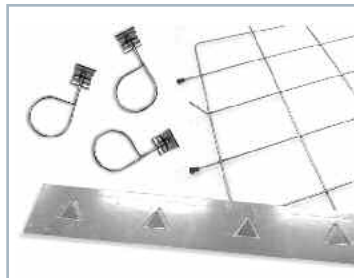
Filtration

GFS spray booths are furnished with a complete set of 20" X 20" GFS Wave filter media as standard. GFS Wave filter media is the most versatile single-stage filtration media made for paint spray booths. Lab testing indicates 99.67% particulate removal efficiency and field testing boasts excellent performance and reliability.

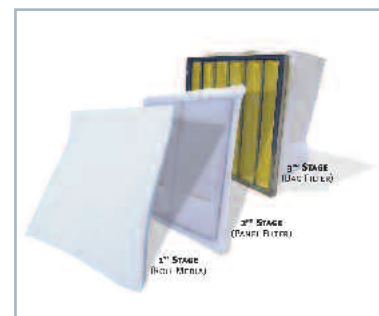
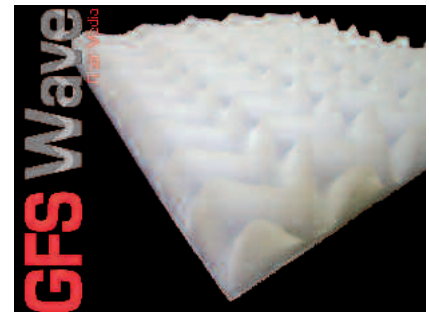
Since many spray booth operating permits are conditioned on the continued use of the filter originally supplied by the booth manufacturer, replacement filters are available from GFS. As an option, additional replacement filters may be ordered with the spray booth.

Options:

- 3 stage NESHAP system, chromate removal
- Roll media
- Filter hooks
- Intake frames
- Filter grids and grid tips



Filter Accessories



3 Stage Filtration

ACCESSORIES

Electronic Components and Control Packages

Pneumatic Start/Stop

This system activates a pneumatic-electric interface, start/stop switch that turns the exhaust fan on and off. The non-sparking pneumatic switch is located inside the spray booth allowing the operator to enter and leave the booth with the exhaust fan turned off – thus avoiding dirty unfiltered air from entering the paint area. Meets or exceeds OSHA Requirements.



Part No: 650-003

Automatic Safety Shut-Down Systems

This system automatically turns off compressed air to the spray gun when paint accumulation in the exhaust filters reaches a pre-set load point that prevents proper airflow through the booth. Complies with fire, health, and insurance code requirements.



Part No: 600-003
Standard System w/All Components

Part No: 600-004
Standard System w/Audible Alarm

Part No: 600-005
Explosion Proof System

Limit Switches

Electronically operated switches shutdown the painting operations when booth doors are opened. Time delay relay allows access to the booth without stopping operations. Interior shutdown switch stops painting operations from inside.



Part No: 242-012
CL 1, Div. 1
Exp. Proof Switch



Part No: 242-014
CL 1, Div. 2
Standard Switch

3-Way Safety Air Valve

3 Port/2-Position air valve prevents spraying with air assist systems when booth exhaust is off. Compressed air between valve and spray equipment is vented out when exhaust is shut off. 120 Volt coil, 3/4" ports or 1/2" ports are available.



Part No: 242-124
3/4" Ports



Part No: 242-019
1/2" Ports

Air Proving Switch

Automatic pressure switch that measures air pressure at the exhaust chamber. Recommended for use with Safety Air Valve.



Part No: 242-004

Visible Manometer

A manometer gauge indicates when paint arrestors or air intake filters have become sufficiently loaded and need replacement. Meets code compliance. Included with all exhaust chambers and booths.



Part No: 242-001

Gun Hanger

Automatic start-up of ventilation when the spray gun is lifted from the hanger, upon return of spray gun to hanger, the exhaust system purges and shuts down.



Part No: 600-035
CL 1, Div. 1
Exp. Proof

Control Packages:

Includes fused disconnect with fuses, magnetic motor starter with overloads & 120 volt control coil, push button motor starter, 1/2" air solenoid valve with 120 volt coil, and 120 or 277 volt light switch. Some booths may require multiple control packages based on the fan configuration.



ACCESSORIES

Control Panels

Standard and Optional Features																														
UL 508 & CUL Listed Panels		NEMA 1 enclosure	NEMA 12 enclosure	NEMA 4 enclosure	NEMA 7 enclosure	Main disconnect	Main breaker disconnect	Magnetic motor starter	Motor fuse protection	Lighting contactor	Lighting fuse protection	System operating local controls	Terminal strip for field wiring	System operation lights	Air replacement temp selector	Paint/Cure selector switch	System start-up interlock timer	Purge timer	Hour meter	Digital temp readout	Air balance control system	Dirty filter interlock	Air solenoid interlock	Door limit switch interlock	Air proving interlock	Infrared heat controls	UL industrial listing	Panel view touch screen	Programmable Logic Controller (PLC)	
Standard Control Panel		S				S		S	S	S	S	S	S	S									S				S			
Deluxe Control Panel without Air Replacement			S	●	●			S	S	S	S	S	S	S				●	●	●	●	●	S	●	●	●	●	S	●	●
Deluxe Control Panel with Air Replacement			S	●	●			S	S	S	S	S	S	S	S	●	S	●	●	●	●	●	S	●	●	●	●	S	●	●

Standard Control Panel Models

Pre-wired electrical control panel featuring single point connection for quick and easy wiring with NEMA-12 rated enclosure.

VOLT	1/3 HP	1/2 HP	3/4 HP	1 HP	1 1/2 HP	2 HP	3 HP	5 HP	7.5 HP	10 HP
1 Phase										
120 2 Wire	CP1-031212	CP1-051212	CP1-071212	CP1-11212	CP1-1.51212	CP1-21212	CP1-31212	CP1-51212	--	--
220 3 Wire	--	--	--	CP1-12213	CP1-1.52213	CP1-22213	CP1-32213	CP1-52213	--	--
230 3 Wire	CP1-032313	CP1-052213	CP1-072313	--	--	--	--	--	--	--
3 Phase										
208 3 Wire	CP1-032033	--	--	CP1-12033	--	CP1-22033	CP1-32033	CP1-52033	CP1-72033	CP1-102033
208 4 Wire	CP1-032034	CP1-052034	CP1-072034	CP1-12034	CP1-1.52034	CP1-22034	CP1-32034	CP1-52034	CP1-72034	CP1-102034
230 3 Wire	CP1-032333	CP1-052333	CP1-072333	CP1-12333	CP1-1.52333	CP1-22333	CP1-32333	CP1-52333	CP1-72333	CP1-102333
230 4 Wire	CP1-032334	CP1-052334	CP1-072334	CP1-12334	CP1-1.52334	CP1-22334	CP1-32334	CP1-52334	CP1-72334	CP1-102334
460 3 Wire	CP1-034833	CP1-054833	CP1-074833	CP1-14833	CP1-1.54833	CP1-24833	CP1-34833	CP1-54833	CP1-74833	CP1-104833
460 4 Wire	CP1-034834	CP1-054834	CP1-074834	CP1-14834	CP1-1.54834	CP1-24834	CP1-34834	CP1-54834	CP1-74834	CP1-104834
575 3 Wire	--	--	--	CP1-15733	--	CP1-25733	CP1-35733	CP1-55733	CP1-75733	CP1-105733
575 4 Wire	--	--	--	CP1-15734	--	CP1-25734	CP1-35734	CP1-55734	CP1-75734	CP1-105734

Notes:

- 6 light maximum capacity for standard panels
- 480-Volt systems with suffix - 4 use 277-Volt for light fixtures
- 230/208-Volt systems use 110-Volt for light fixtures
- Not recommended for spray booths featuring air make-up units or air balancing systems.

Optional Deluxe Control Panels

Deluxe Control Panels built by GFS are for special applications such as booths with air makeup units, multiple booth operations or booths with automatic air balancing systems. Each control panel is designed for a single point wiring connection. All control wires are numbered for easy wire identification. All components are labeled to match electrical schematic. Includes terminal strip for field wiring.



Optional Air Balancing Systems

Features:

- Automatically adjust fan motor speeds based on actual airflow conditions and maintains an air balance within a paint spray booth that keeps paint fumes from escaping and preventing dust from entering.
- Provides constant air pressure and consistent exhaust airflow for spray booths to operate at their optimum rate and efficiency.
- Provides a consistency of controlled temperature.

Benefits:

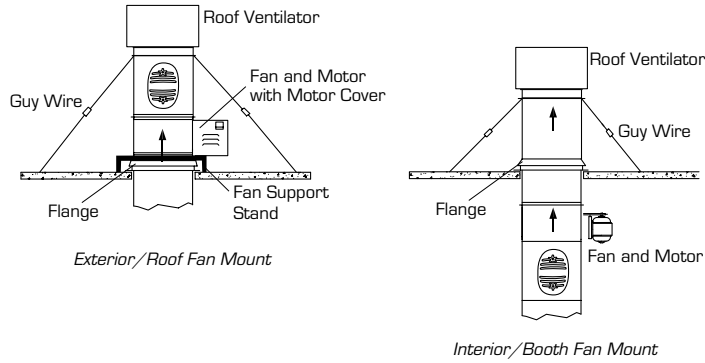
- Greatly improved process control
- Increases transfer efficiency
- Controls and directs overspray into filtration systems
- Controls and exhausts VOCs from the work place
- Extends dry filter usage up to 50%
- Decreases energy cost up to 40% as compared to damper systems
- Provides a cleaner system and paint finishes
- Saves on utility costs

ACCESSORIES

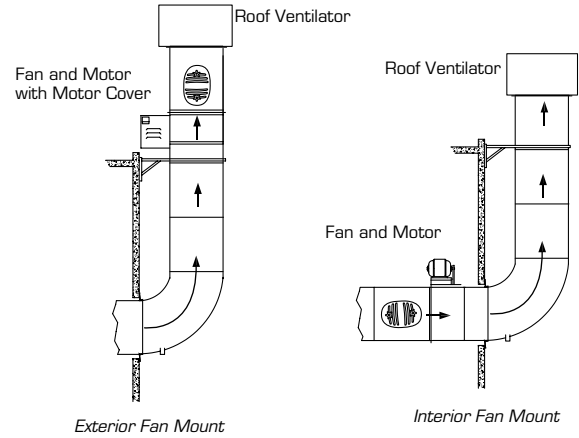
Exhaust Ductwork Installation

Different components are used to make up the systems shown. The diagrams below illustrate how the different components are used to make up the several systems. All motor and fan locations must be decided before installation, to ensure proper hardware is equipped with the booth. For unusual applications consult GFS for recommendations.

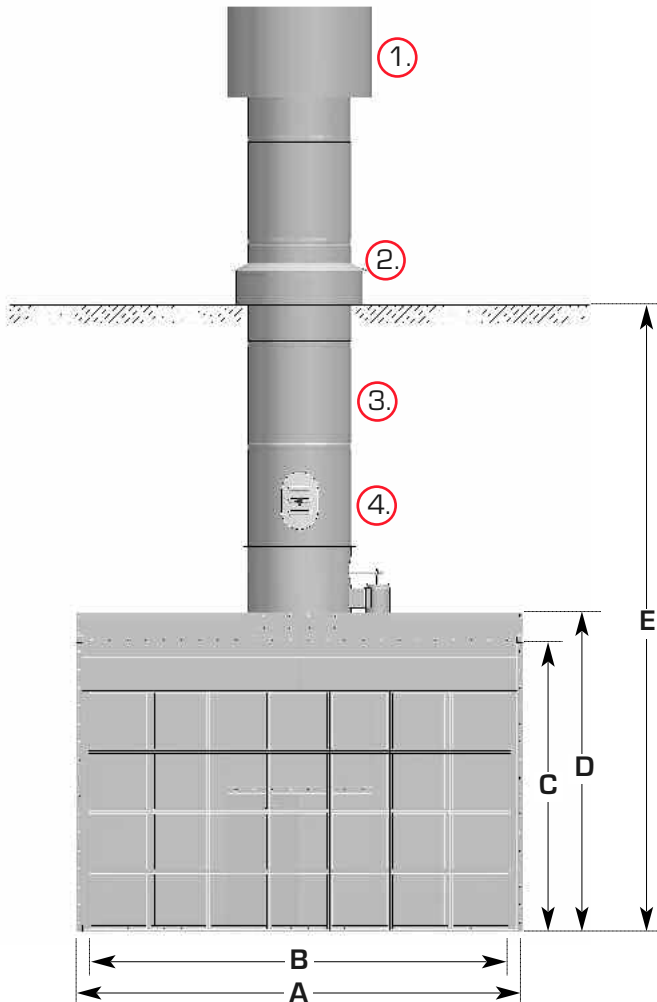
Outlet in Roof



Outlet in Wall



Use the illustrations and charts to help you determine the components needed to complete your system.



Duct Work	Qty.	Diameter (inches)
1. Automatic Roof Ventilator		
2. Roof Flange with Collar (Pitch: _____" on 12)		
3. Plain Exhaust Duct (36" L)		
4. Plain Exhaust Duct with Clean out Door (36" L)		

Booth Measurements	Feet	Inches
A Overall Booth Width		
B Working Width		
C Working Height		
D Overall Booth Height		
E Roof Height		

Note:

Check with your local area inspector for code compliance. The stack should be cleaned periodically depending on usage. This will insure efficient operation and lessen the danger of fire when combustible materials have been used.

ACCESSORIES

Exhaust Ductwork

Automatic Roof Ventilator:

Design provides automatic protection against rain, snow and back-draft for the exhaust system, spray booth and operator. All sizes constructed from galvanized steel.



DU - ARV - 12 - 1R

Class: DU - Duct

Part: ARV - Automatic Roof Ventilator

Rings (optional): 1 R - One Ring, 2 R - Two Ring, Blank - No Rings

Part No.

DU-ARV-12-	_____
DU-ARV-18-	_____
DU-ARV-24-	_____
DU-ARV-30-	_____
DU-ARV-34-	_____
DU-ARV-36-	_____
DU-ARV-40-	_____
DU-ARV-42-	_____
DU-ARV-48-	_____

Dia. (inches): 12 - 12 inches, 18 - 18 inches, 24 - 24 inches, 30 - 30 inches, 34 - 34 inches, 36 - 36 inches, 40 - 40 inches, 42 - 42 inches, 48 - 48 inches

Exhaust Stack Kits:

Exhaust Stack Kits include: (3) 3 ft-Plain Exhaust Duct sections, (1) 3 ft-Universal Stack with Access Door, and (1) Roof Ventilator.

DU - STK - 12

Class: DU - Duct

Part: STK - Stack Kit

Dia. (inches): 12 - 12 inches, 18 - 18 inches, 24 - 24 inches, 30 - 30 inches, 34 - 34 inches, 36 - 36 inches, 40 - 40 inches, 42 - 42 inches, 48 - 48 inches

Part No.

DU-STK-12-	_____
DU-STK-18-	_____
DU-STK-24-	_____
DU-STK-30-	_____
DU-STK-34-	_____
DU-STK-36-	_____
DU-STK-40-	_____
DU-STK-42-	_____
DU-STK-48-	_____

Automatic Shutter:

For exhausting through side of building. Non-motorized, gravity louvers built into a square housing. Includes square to round transition. Adapter flange included.



Note: Wall shutter does not meet NFPA code. Discharge point must be 6 ft. from exterior wall or roof.

Part No. Fan Size

DU-SHW-12-12	12" x 12" w/AF
DU-SHW-18-18	18" x 18" w/AF
DU-SHW-24-24	24" x 24" w/AF
DU-SHW-30-30	30" x 30" w/AF
DU-SHW-36-34	36" x 36" w/AF 34 Duct
DU-SHW-36-36	36" x 36" w/AF 36 Duct
DU-SHW-42-40	42" x 42" w/AF 40 Duct
DU-SHW-42-42	42" x 42" w/AF
DU-SHW-48-48	48" x 48" w/AF

Guy Wire Kits:

Includes 50 ft of 1/8" cable, anchors, turnbuckles and clamps for installation of 3 guy wires to above roof exhaust stack. Note: Connector ring sold separately.

DU - GWK - 12

Class: DU - Duct

Part: GWK - Guy Wire Kit

Dia. (inches): 12 - 12 inches, 18 - 18 inches, 24 - 24 inches, 30 - 30 inches, 34 - 34 inches, 36 - 36 inches, 40 - 40 inches, 42 - 42 inches, 48 - 48 inches

Part No.

DU-GWK-12	_____
DU-GWK-18	_____
DU-GWK-24	_____
DU-GWK-30	_____
DU-GWK-34	_____
DU-GWK-36	_____
DU-GWK-40	_____
DU-GWK-42	_____
DU-GWK-48	_____

Elbows:

Full radius throat and pipe diameter design/construction allow for a smooth interior surface. Minimized airflow resistance, turbulence and exhaust air noise management is superior versus others and can be utilized in most applications. All sizes constructed from galvanized steel.



45°



90°

DU - E45 - 12 - 1R

Class: DU - Duct

Part: E45 - 45 Degree Elbow, E90 - 90 Degree Elbow

Rings (optional): 1 R - One Ring, 2 R - Two Ring, Blank - No Rings

Part No.

DU-E45-12-	_____	DU-E90-12-	_____
DU-E45-18-	_____	DU-E90-18-	_____
DU-E45-24-	_____	DU-E90-24-	_____
DU-E45-30-	_____	DU-E90-30-	_____
DU-E45-34-	_____	DU-E90-34-	_____
DU-E45-36-	_____	DU-E90-36-	_____
DU-E45-40-	_____	DU-E90-40-	_____
DU-E45-42-	_____	DU-E90-42-	_____
DU-E45-48-	_____	DU-E90-48-	_____

Dia. (inches): 12 - 12 inches, 18 - 18 inches, 24 - 24 inches, 30 - 30 inches, 34 - 34 inches, 36 - 36 inches, 40 - 40 inches, 42 - 42 inches, 48 - 48 inches

Plain Exhaust Duct:

Straight 3 ft long section, with one end corrugated for easy installation. Duct can also be ordered with a removable Access Door (CO) used for inspection and cleaning. All sizes constructed from galvanized steel and require some assembly.

DU - PLP - 12 - 3 - [modifiers]

Class: DU - Duct

Part: PLP - Plain Pipe

Dia. (inches): 12 - 12 inches, 18 - 18 inches, 24 - 24 inches, 30 - 30 inches, 34 - 34 inches, 36 - 36 inches, 40 - 40 inches, 42 - 42 inches, 48 - 48 inches

Length (feet): 3 FT Lengths ONLY

Optional Modifiers: Rings (1 R - One Ring, 2 R - Two Ring, Blank - No Ring), Clean-Outs (CO - Clean Out, Blank - No Clean Out)

Part No.

DU-PLP-12-3-	_____
DU-PLP-18-3-	_____
DU-PLP-24-3-	_____
DU-PLP-30-3-	_____
DU-PLP-34-3-	_____
DU-PLP-36-3-	_____
DU-PLP-40-3-	_____
DU-PLP-42-3-	_____
DU-PLP-48-3-	_____

ACCESSORIES

Exhaust Ductwork

Rear Exhaust Baffle:

Baffles are recommended for rear exhaust applications.



Part No.	Fan Size
EB1	12" to 24"
EB2	30" to 42"

Roof Flanges:

Not recommended for corrugated metal roofs. Global recommends a custom curb on a roof pitch that exceeds 4" on 12. Please specify pitch when ordering.



Flat



Pitched

DU - FRF - 12 - 0100 - WC

Class DU - Duct	For Pitched Roof Flange ONLY	Collar (optional) WC - with Collar Blank - No Collar
Part FRF - Flat Roof Flange PRF - Pitched Roof Flange	Pitch (in. on 12) 0050 - 0.50 inches on 12 0100 - 1.00 inches on 12 0125 - 1.25 inches on 12 * * * 0900 - 9.00 inches on 12 etc.	
Dia. (inches) 12 - 12 inches 18 - 18 inches 24 - 24 inches * * * 48 - 48 inches		

Part No.	Part No.
Flat	Pitched
DU-FRF-12-WC	DU-PRF-12- -WC
DU-FRF-18-WC	DU-PRF-18- -WC
DU-FRF-24-WC	DU-PRF-24- -WC
DU-FRF-30-WC	DU-PRF-30- -WC
DU-FRF-34-WC	DU-PRF-34- -WC
DU-FRF-36-WC	DU-PRF-36- -WC
DU-FRF-40-WC	DU-PRF-40- -WC
DU-FRF-42-WC	DU-PRF-42- -WC
DU-FRF-48-WC	DU-PRF-48- -WC

Standard Spiral Duct:

Available in 4 ft or 8 ft lengths. All sizes constructed from galvanized steel, will require connector rings on each end.



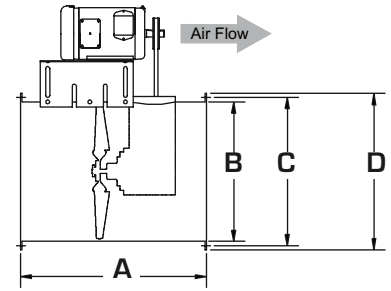
DU - SPP - 12 - 4 - [modifiers]

Class DU - Duct	Optional Modifiers
Part SPP - Spiral Pipe	Rings 1 R - One Ring 2 R - Two Ring Blank - No Ring
Dia. (inches) 12 - 12 inches 18 - 18 inches 24 - 24 inches * * * 48 - 48 inches	Clean-Outs CO - Clean Out Blank - No Clean Out
Length (feet) 4 FT length 8 FT length	

Part No.
DU-SPP-12- - -
DU-SPP-18- - -
DU-SPP-24- - -
DU-SPP-30- - -
DU-SPP-34- - -
DU-SPP-36- - -
DU-SPP-40- - -
DU-SPP-42- - -
DU-SPP-48- - -

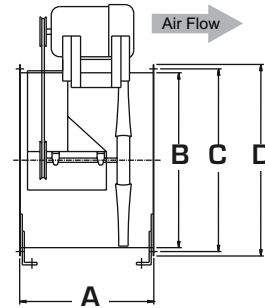
Exhaust Fans

Fans Sizes: 18", 24", 30", 34" & 40"



Model	A Ring to Ring	B Inside Dim.	C Mounting Bolt	D Outside Dim.
GFA-18	24"	18"	19 1/4"	20 1/2"
GFA-24	24"	24"	25 1/2"	26 7/8"
GFA-30	30"	30"	31 3/4"	33"
GFA-34	30"	34"	35 3/4"	37"
GFA-40	30"	40"	41 3/4"	43"

Fans Sizes: 12", 18, 24, 30", 36", 42" & 48"



Model	A Ring to Ring	B Inside Dim.	C Mounting Bolt	D Outside Dim.
TAB-12	18"	12.25	14.00	14.88
TAB-18	22"	18.38	19.75	21.63
TAB-24	23"	24.38	25.75	27.63
TAB-30	24"	30.38	32.00	33.63
TAB-36	29"	36.38	38.00	39.63
TAB-42	30"	42.50	44.25	45.75
TAB-48	33"	48.50	50.75	52.75

Additional Accessories Available

Refer to Price List for Part Numbers and Pricing

- Fan Stands
- Motor Covers
- Mufflers
- Connecting Rings

Extraordinary Leadership and Vision

GFS is an organization dedicated to advancing finishing technologies to help make our customers more efficient and more profitable. By working closely with major paint companies and utilizing our extensive engineering knowledge base, GFS is able to design equipment using the best technology from different industries to improve performance and minimize costs.

Represented by our extensive North American Distribution Network, GFS is proud to offer a level of service that is unequaled. Your local GFS distributor is just a phone call away, and can handle any Sales-Service-Installation issue.

We are committed to helping our customers grow their businesses by providing quality products designed to minimize operating costs, and maximize productivity. Whether light industrial, woodworking, powder coating, or vehicle refinishing, GFS has the right equipment to fit your operation, guaranteed.

GFS manufactures the entire spectrum of paint booths for finishing applications - from open face touch-up booths to heavy-duty and high-volume industrial applications.



- > Automotive Refinish Booths
- > Truck Refinish Booths
- > Special Application Booths
- > VOC Abatement Systems
- > Bench Booths
- > Downdraft Booths
- > Semi-Downdraft Booths
- > Crossdraft Booths
- > Paint Mix Rooms
- > Waterborne Ready Equipment
- > Finishing Systems
- > Air Replacement Units
- > Flash-Off Tunnels
- > Industrial Ovens
- > Clean Rooms
- > Water-Wash Systems
- > Powder Booths
- > Parts & Filters
- > Sales, Service & Installation



Global Finishing Solutions • 800-848-8738 • info@globalfinishing.com
Osseo, Wisconsin • Carrollton, Texas • Monterrey, Mexico • Barrie, Ontario
www.globalfinishing.com

Printed in USA
IFP-IDB 11132007

All designs, specifications and components are subject to change at the manufacturer's sole discretion at any time without notice. Data published herein is informational in nature and shall not be construed to warrant suitability of the unit for any particular purpose as performance may vary with the conditions encountered.

©2007 Global Finishing Solutions. All Rights Reserved